

# ARKIMEDE 115 - DECKING



## INDEX

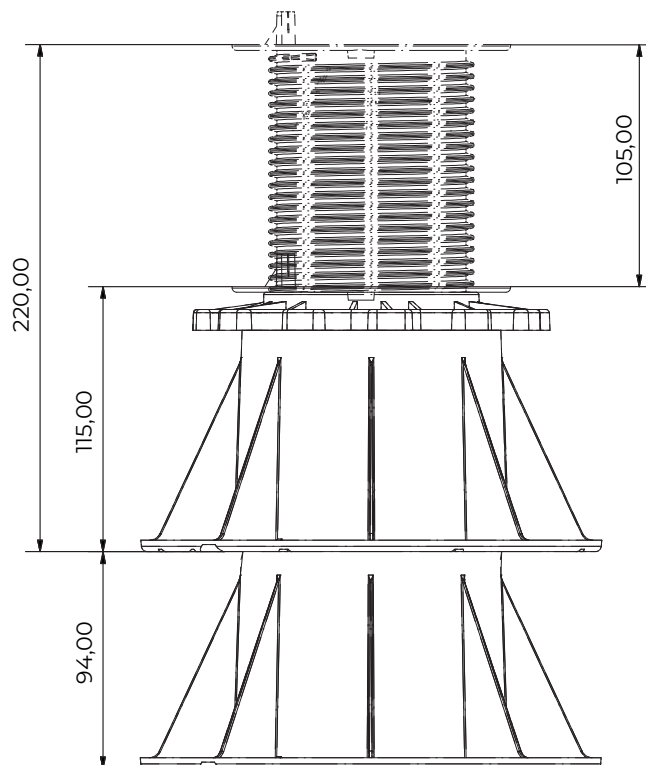
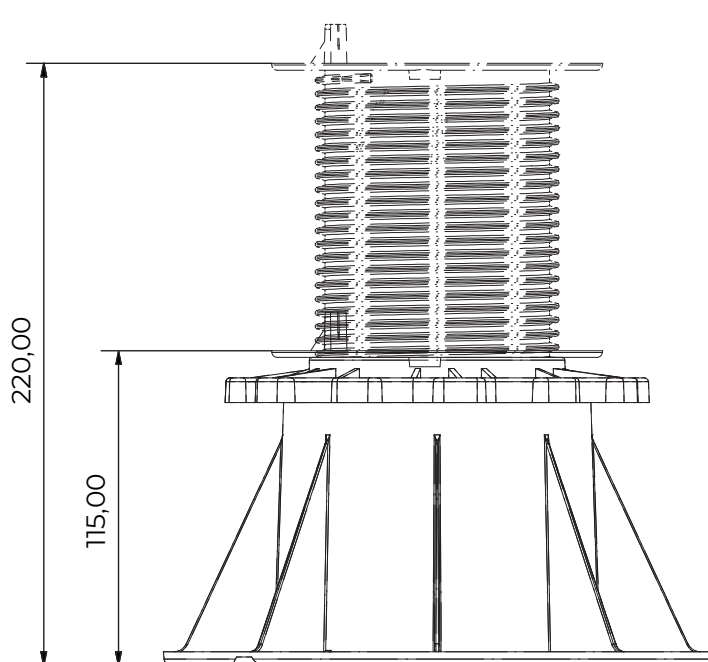
1. Code registry
2. Description
3. Use
4. Fields of use
5. Load test
6. Technical specification

## 1. CODE REGISTRY

Code	Description	Dimension (mm)	Weight (kg)	Pkg. / Pallet
TER09-1173/1A	ARKIMEDE 115 - Decking	from 115 to 220	0,358	15 pcs. / 225 pcs.

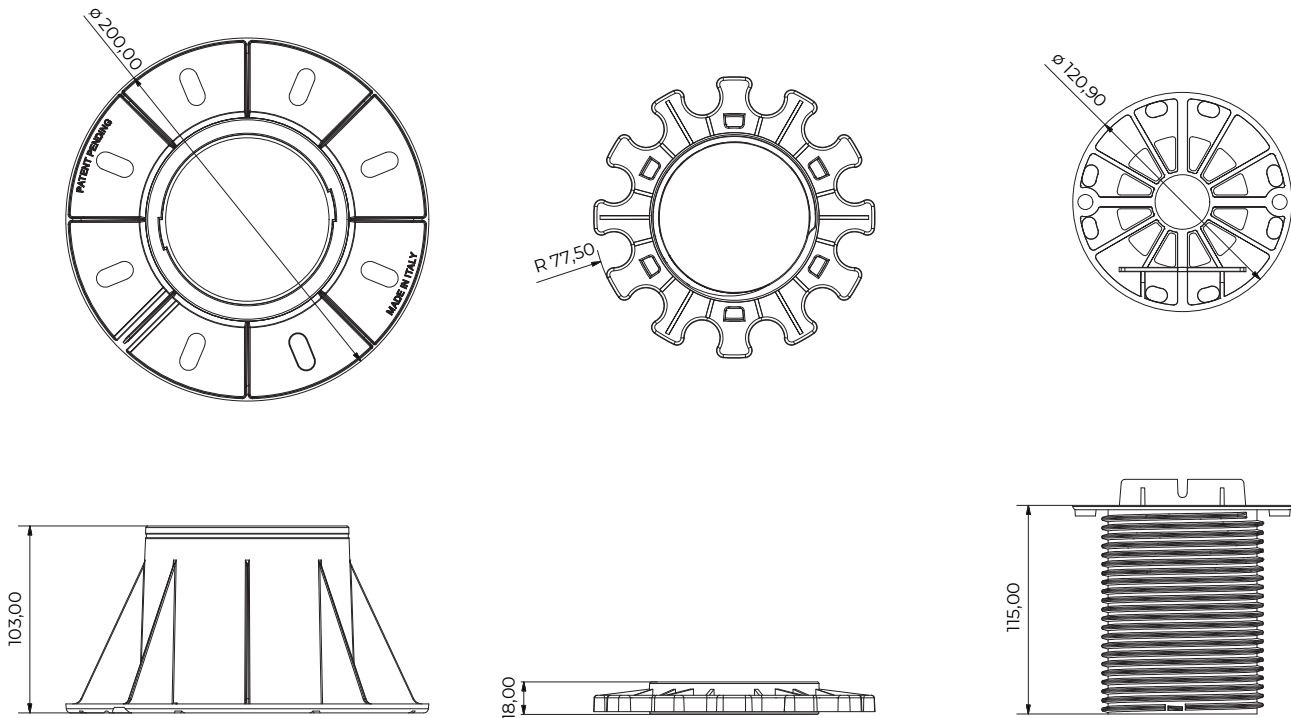
## MATERIAL

Made of PP (polypropylene).



Each base has a special bottom shape that allows to be stack on another base.

# ARKIMEDE 115 - DECKING



## 2. DESCRIPTION

- Arkimede 115 support with adjustable height starting from 115 mm.  
 Base laying surface: 314 cm<sup>2</sup>. Head diameter: 120 mm with a laying surface of 113 cm<sup>2</sup>.
- Box composed by the base, rotating ring and head with 1 tab for joists.
  - The base allows the correct water drainage.
  - Extension 100 mm is available as an optional.

## 3. USE

Used in external areas, terraces, pavements.  
 Operating temperature: from - 40 ° C to + 80 ° C.

**The use of polishing and sanding machines is not recommended.**

## 4. FIELDS OF USE

Waterproof membrane, hard insulating panels, squids and solid and compact pose plans

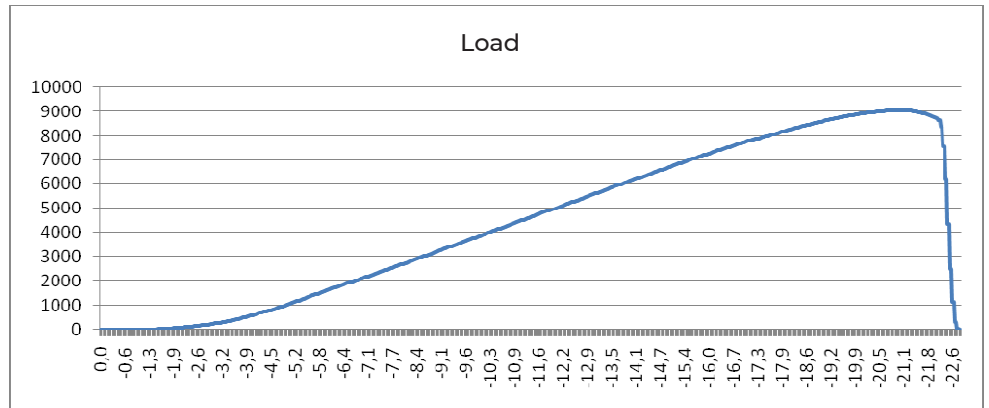
# ARKIMEDE 115 - DECKING

## 5. LOAD TEST

### TEST 1

Code	Dimension	Max. Load [N]
TER09-1173/1A	h = 1.120 mm	9.033

A punch of 150 mm diameter was used to carry out the test.

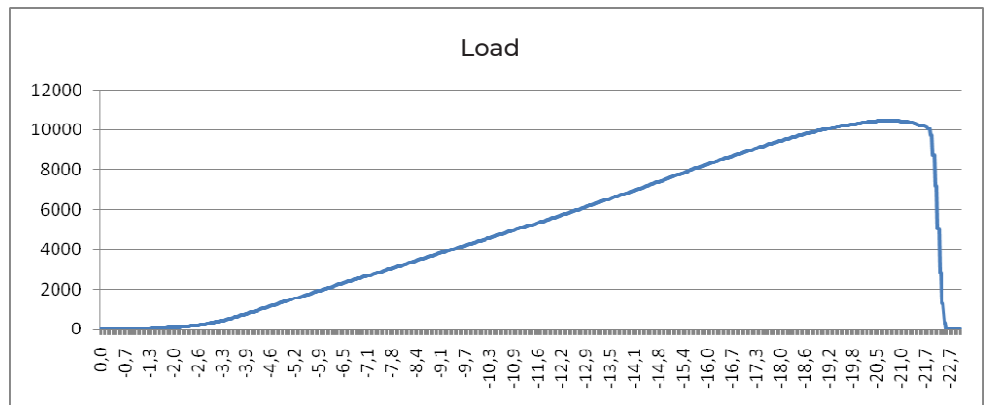


Maximum Load	9.033 N
Bend at Maximum Load	21,0 mm

### TEST 2

Code	Dimension	Max. Load [N]
TER09-1173/1A	h = 1.100 mm	10.467

A punch of 150 mm diameter was used to carry out the test.



Maximum Load	10.467 N
Bend at Maximum Load	20,7 mm

## 6. TECHNICAL SPECIFICATION

Specification	Description	Unity	Price
Dak.O.TER09-1173/x	Supply and installation of ARKIMEDE 115 - Decking support with adjustable height starting from 115 mm. Base laying surface: 314 cm <sup>2</sup> . Head diameter: 120 mm with a laying surface of 113 cm <sup>2</sup> . Available versions: · Box composed by the base, rotating nut and head with 1 tab for joists. The base allows the correct water drainage. Made of PP (polypropylene). Used in external areas, terraces, pavements.	pcs.	-
Dak.O.TER09-1173/1A	1 tab.....	pcs.	-